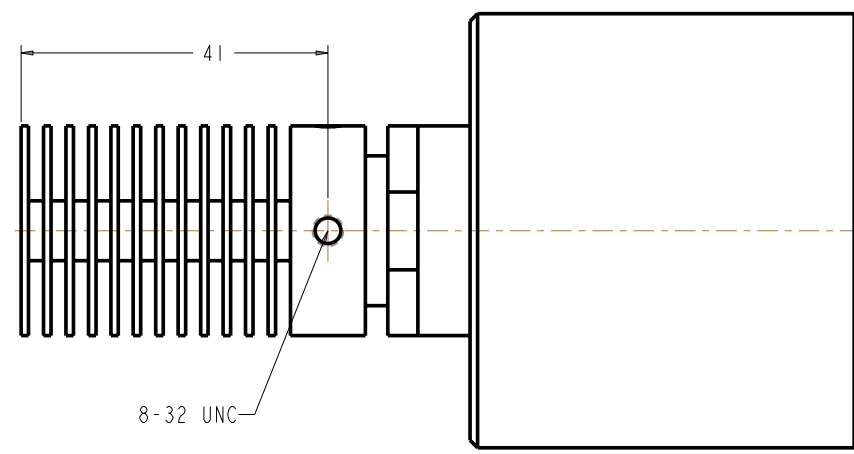
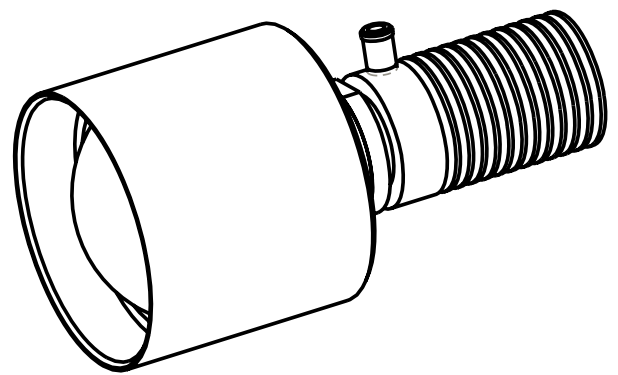
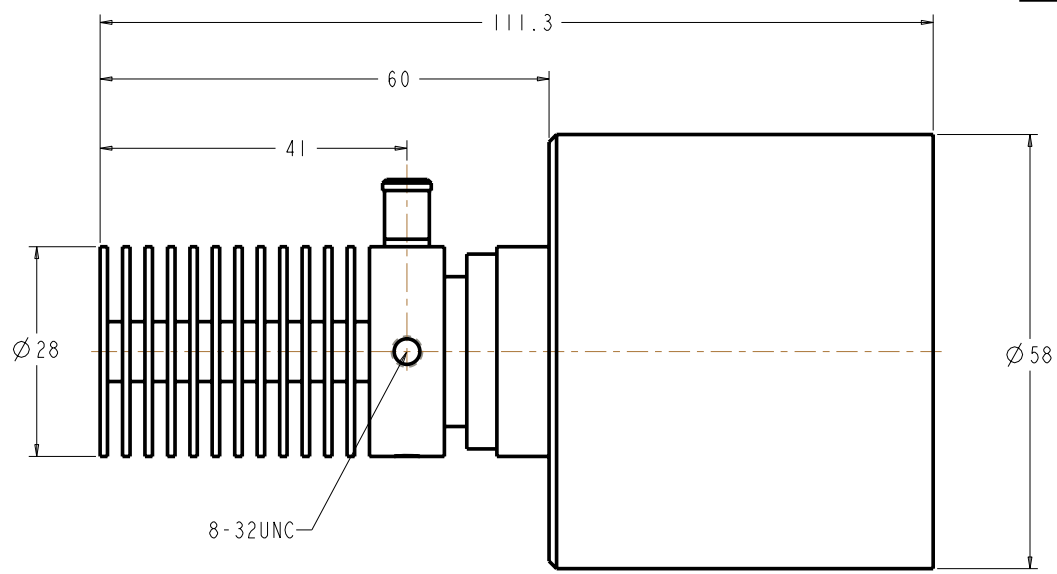
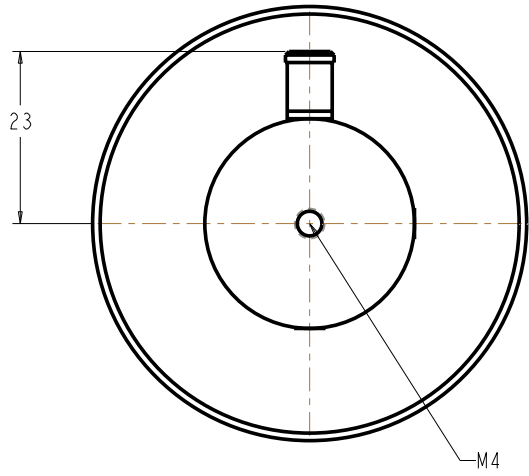


M L K J H G F E D C B A

LTR	CO	DATE	CHK



This document and the information and data contained herein are proprietary to and the exclusive property of Mightex Systems. This document and the information and data contained herein may not be copied, published or disclosed without the express prior written consent of Mightex Systems.

MATERIAL:	THE INFORMATION AND DATA CONTAINED HEREIN CONFORMS TO ASME Y14.5M-1994	DRAWN:	DATE: 30-Mar-11	Mightex Systems
ALT MATL:	ALL UNTOLERANCED DIMENSIONS ARE BASIC	EDGE/COR BREAK:	RADII INSIDE:	
CASE DEPTH:	UNLESS OTHERWISE SPECIFIED, ALL DIMENSIONS ARE IN MM	RADII OUTSIDE:	THIRD ANGLE PROJ	SIZE NO. D 173000
HARDNESS:		UNLESS OTHERWISE SPECIFIED: <input checked="" type="checkbox"/> SURFACE FINISH		BEL NO. SHEET 2 OF 2
SURFACE TREATMENT:		PRO/ENGINEER*		

M L K J H G F E D C B A